

Wiring Index

Audio - Microphone	0000-0999
Audio - Line	1000-1999
Audio - Speaker	2000-2999
Control	3000-3999
Video - Composite/Svideo	4000-4999
Video - VGA/Component	5000-5999
Power - RF	6000-6999
Power	7000-7999
Fiber	8000-8999
Spare	9000-9999

**SHARP
LC-52D64U
52" Displays**

**SHARP
LC-32D64U
32" Displays**

**SHARP
LC-32D64U
32" Displays**

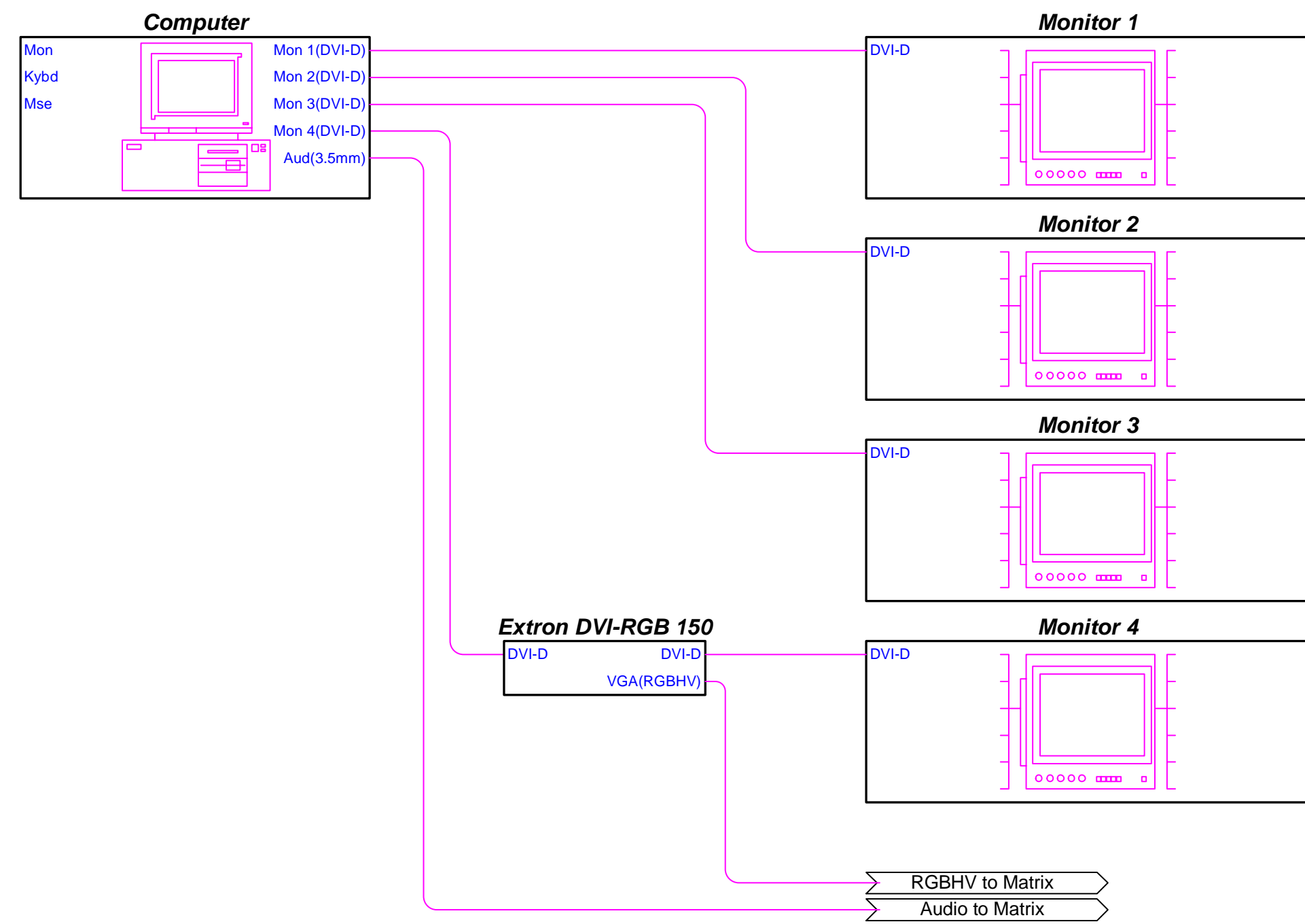
Last Rev:	As Built	07/21/09
Print Date:		07/24/09
Proj. Eng:		
Drawn By:		07/21/09

**FRONTIER
MEDIA SOLUTIONS, LLC.**

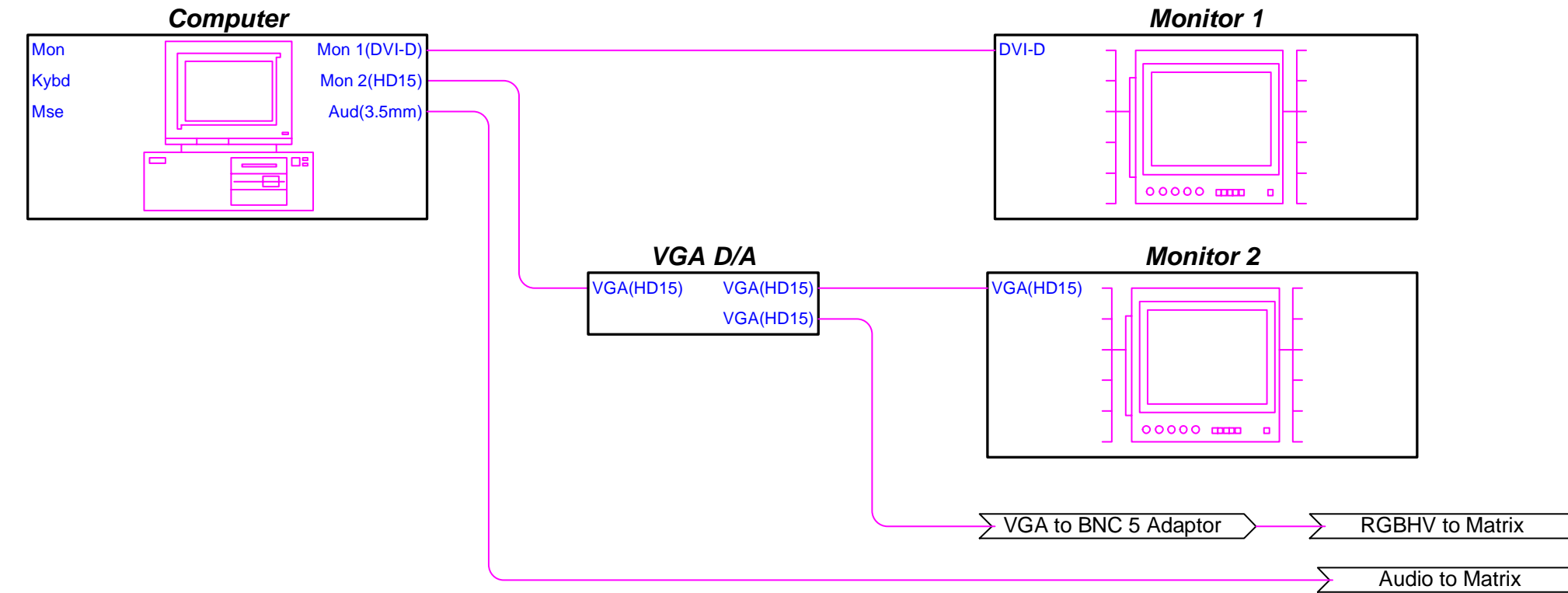
P.O. Box 634
Springboro, Ohio 45066
Tel: 937.704.9731 Fax: 937.704.0006

CUSTOMER	
Homeland Security	
PROJECT	
MA 4633	
DWG TITLE	
24x48 VGA 48 x 56 Stereo Audio	
ma4633 homeland rv4.vsd	DWG NUMBER MA4633
SCALE 1.00 in.:1.00 in.	AV 01

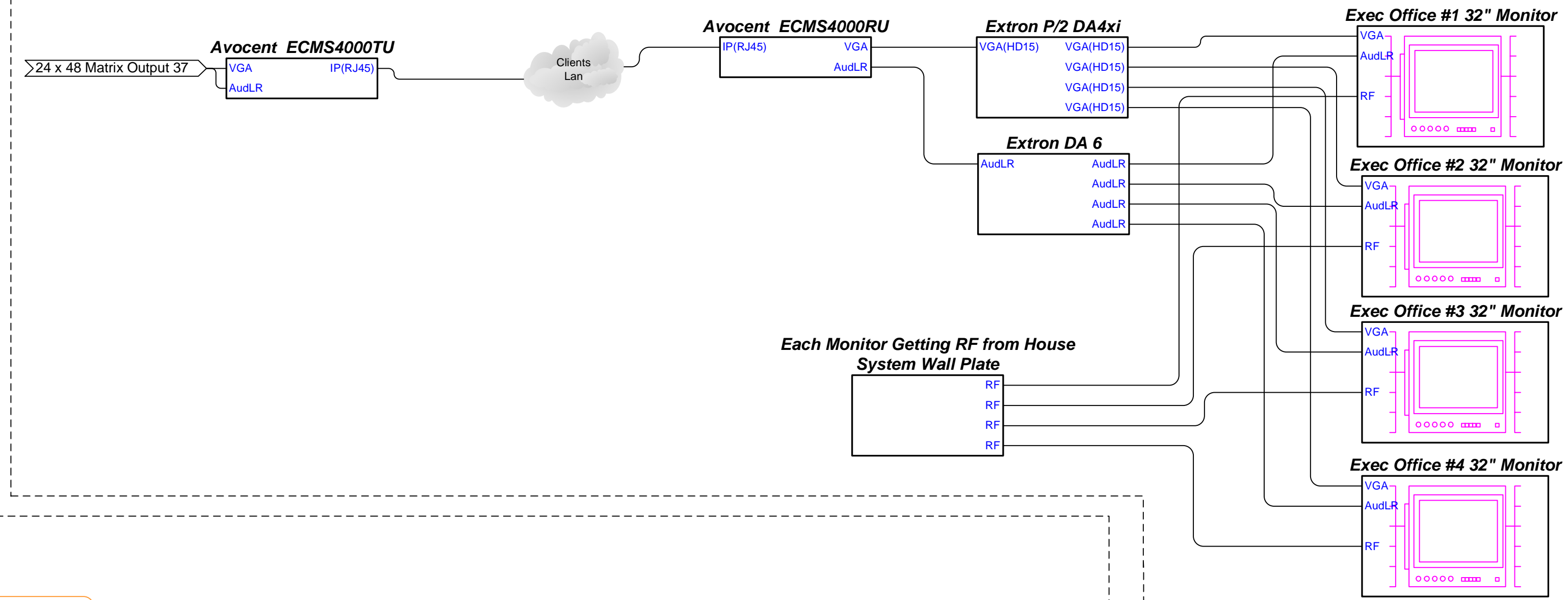
Workstations that use DVI to VGA Converter (Connection Type 1)



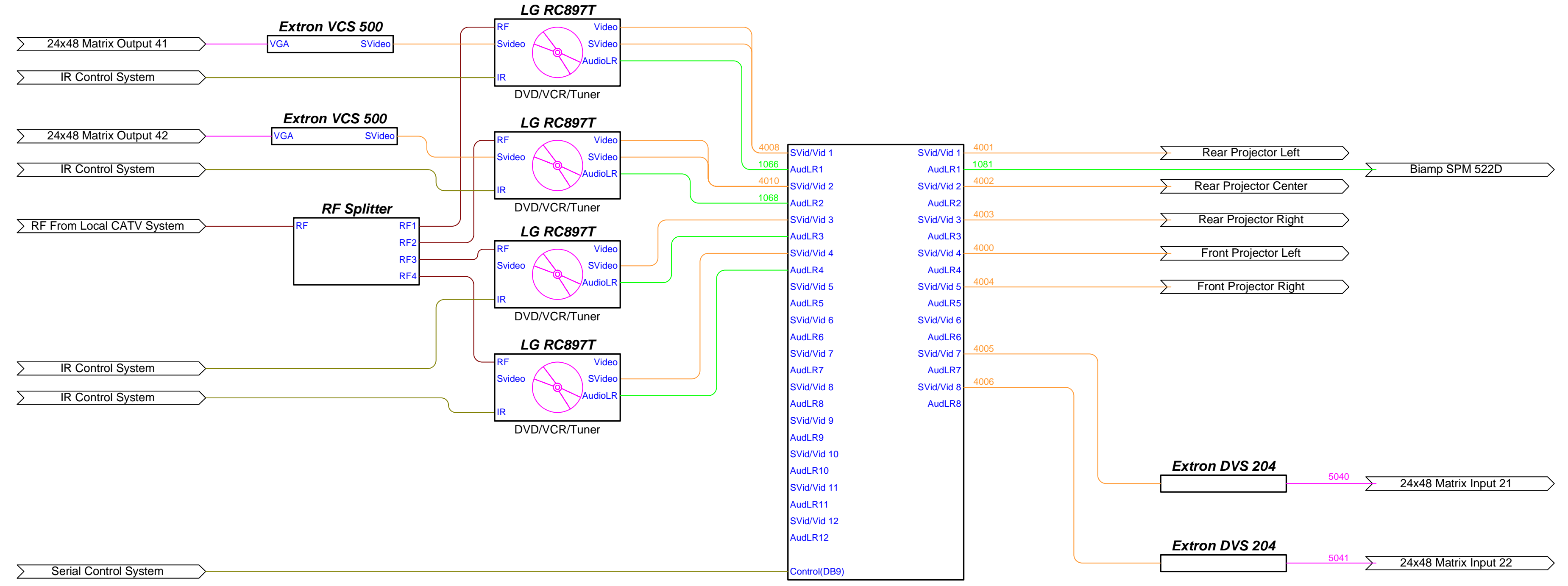
Workstations that use VGA D/A (Connection Type 2)



Homeland Security Executive Offices



12 x 8 Svideo/Video + Audio Matrix Switcher

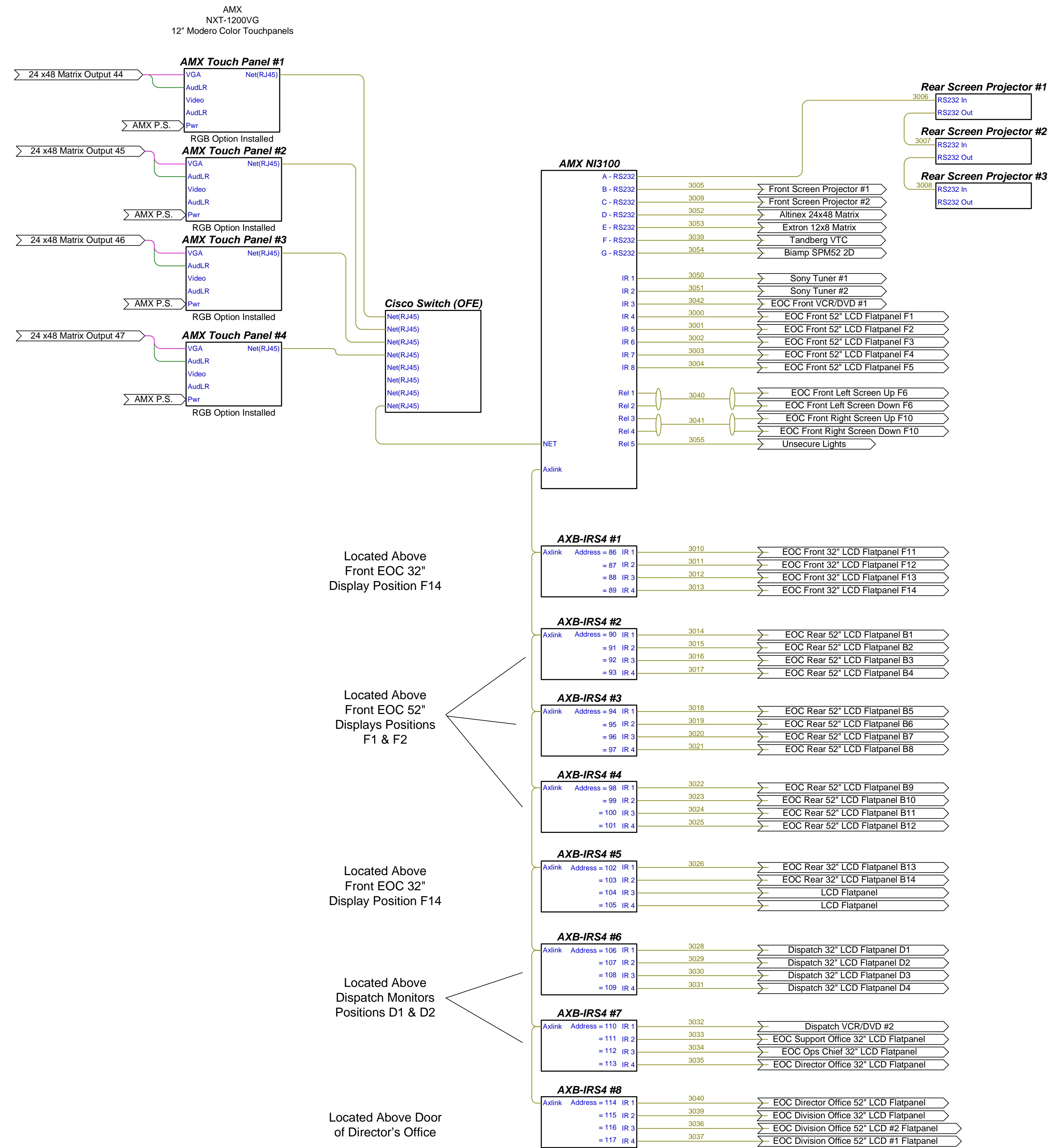


Last Rev:	As Built	07/21/09
Print Date:		07/24/09
Proj. Eng:		
Drawn By:		07/21/09

FRONTIER MEDIA SOLUTIONS, LLC.

P.O. Box 634
Springboro, Ohio 45066
Tel: 937.704.9731 Fax: 937.704.0006

CUSTOMER	Homeland Security
PROJECT	MA 4633
DWG TITLE	Continuation of 24 x 48 Matrix AV01
ma4633 homeland rv4.vsd	DWG NUMBER MA4633
SCALE 1.00 in.:1.00 in.	AV 02

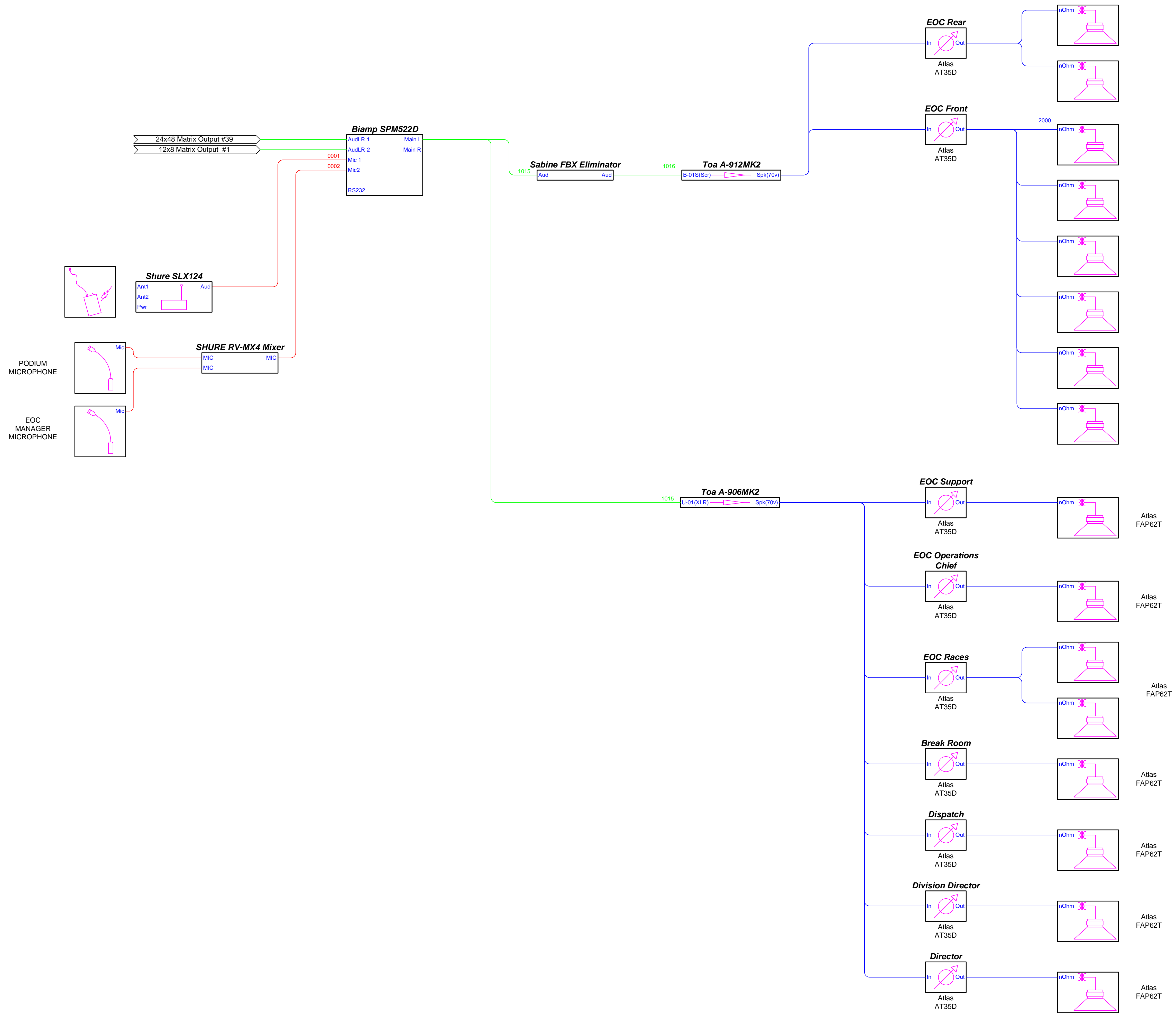


Last Rev:	As Built	07/21/09
Print Date:		07/24/09
Proj. Eng:		
Drawn By:		07/21/09

FRONTIER
MEDIA SOLUTIONS, LLC.

P.O. Box 634
Springboro, Ohio 45066
Tel: 937.704.9731 Fax: 937.704.0006

CUSTOMER	
Homeland Security	
PROJECT	
MA 4633	
DWG TITLE	
Control Block	
ma4633 homeland rv4.vsd	DWG NUMBER MA4633
SCALE 1.00 in.:1.00 in.	CTL01

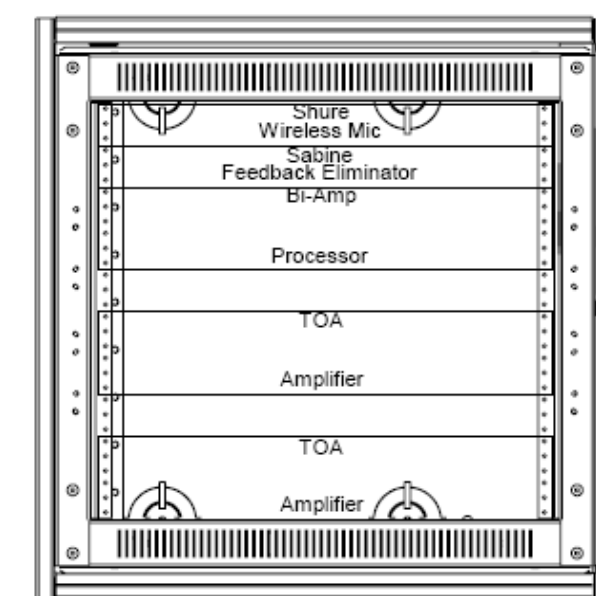
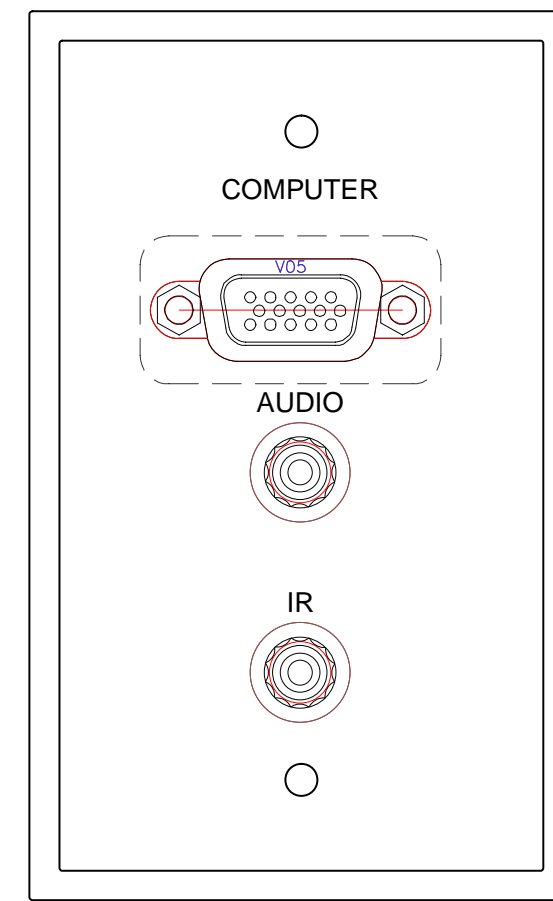
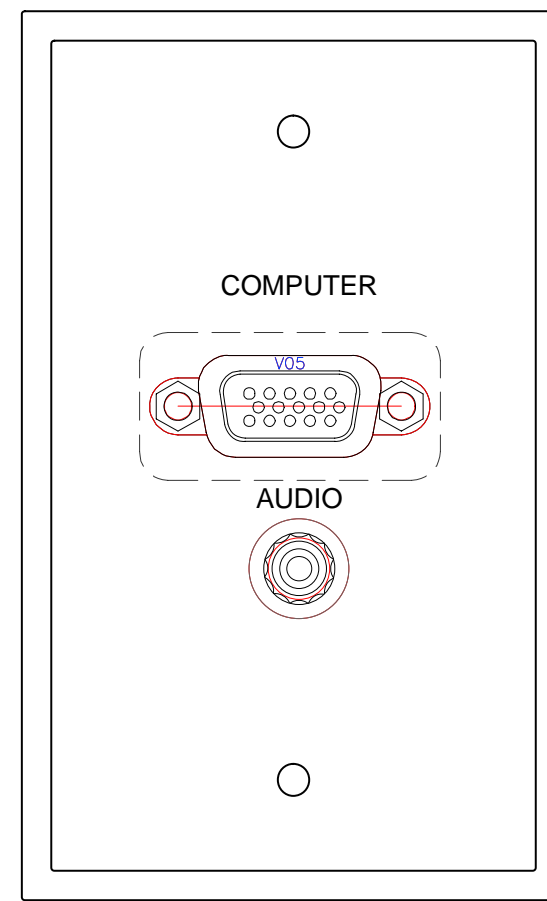


Last Rev:	As Built	07/21/09
Print Date:		07/24/09
Proj. Eng:		
Drawn By:		07/21/09

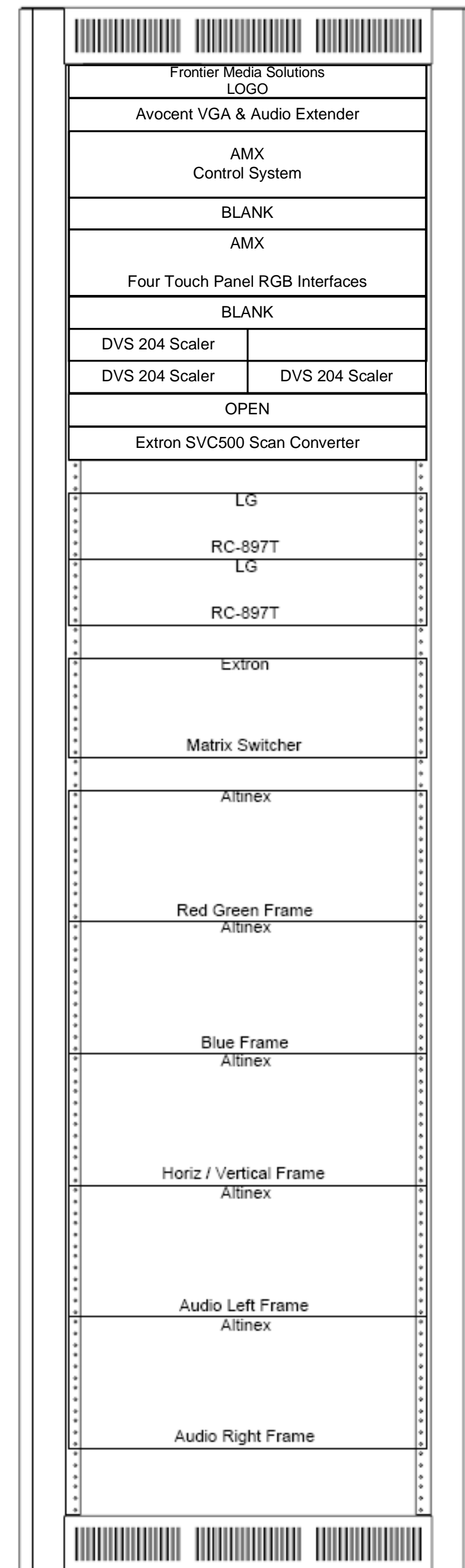
FRONTIER MEDIA SOLUTIONS, LLC.

P.O. Box 634
Springboro, Ohio 45066
Tel: 937.704.9731 Fax: 937.704.0006

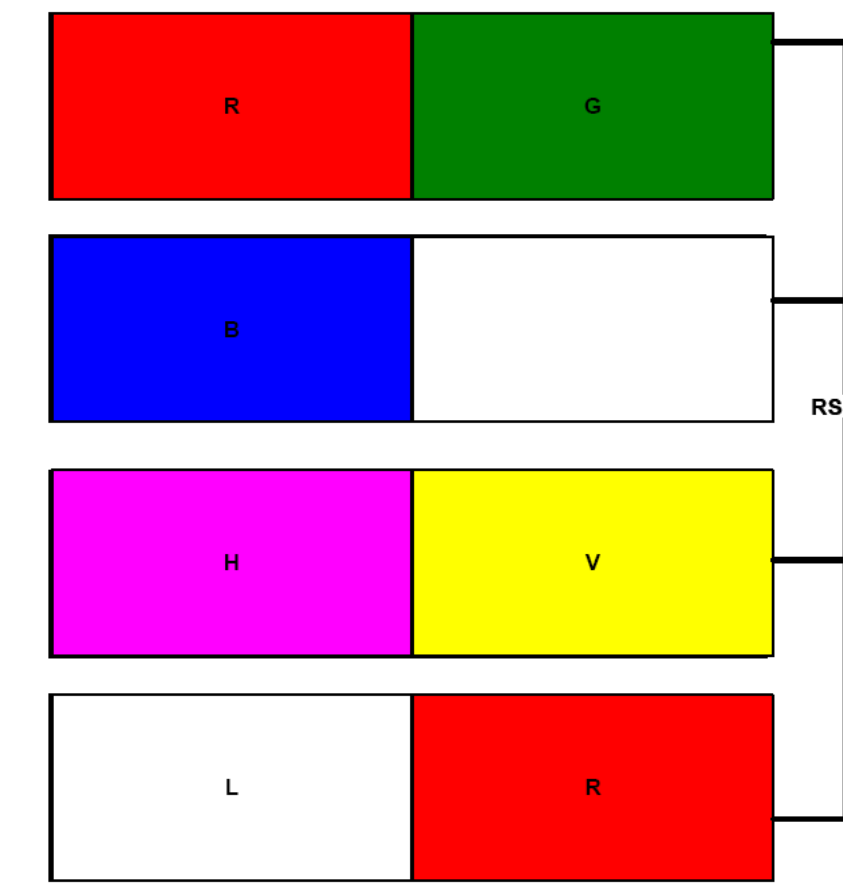
CUSTOMER	
Homeland Security	
PROJECT	
MA 4633	
DWG TITLE	
Audio Block	
ma4633 homeland rv4.vsd	DWG NUMBER MA4633
SCALE 1.00 in.:1.00 in.	Aud01



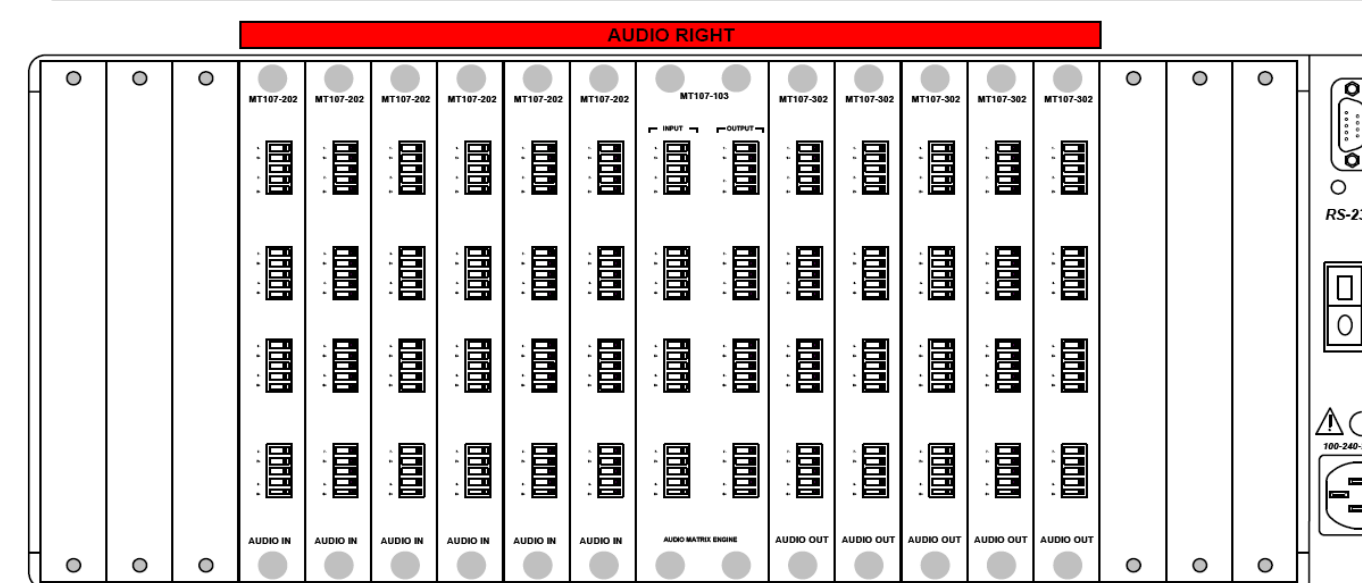
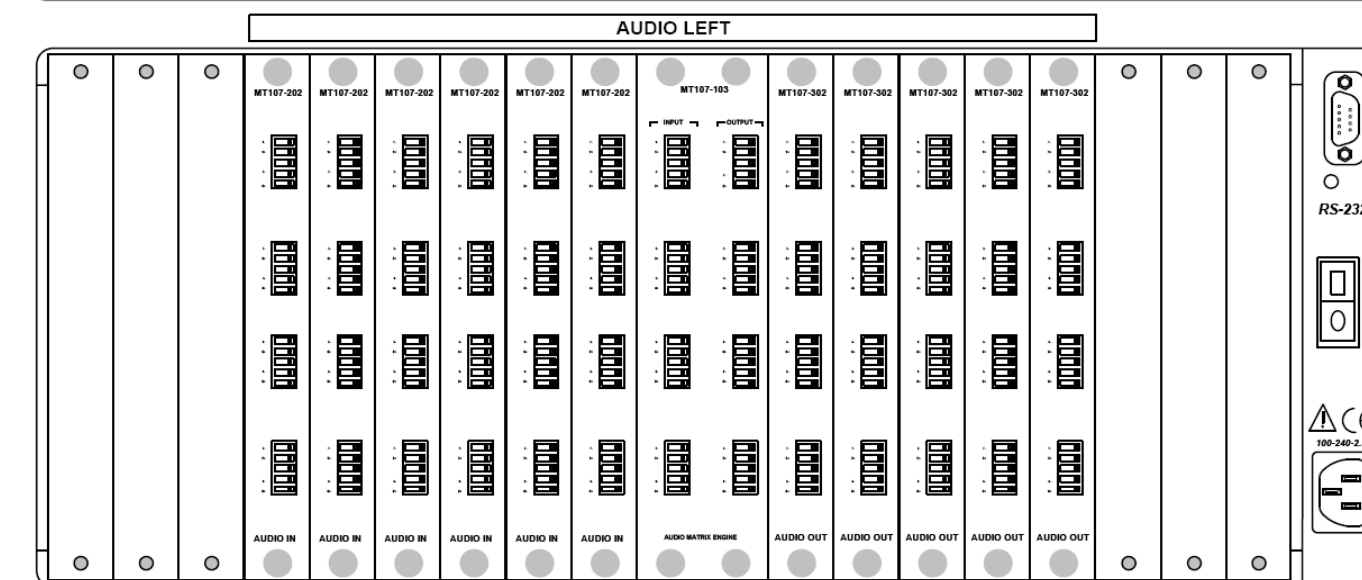
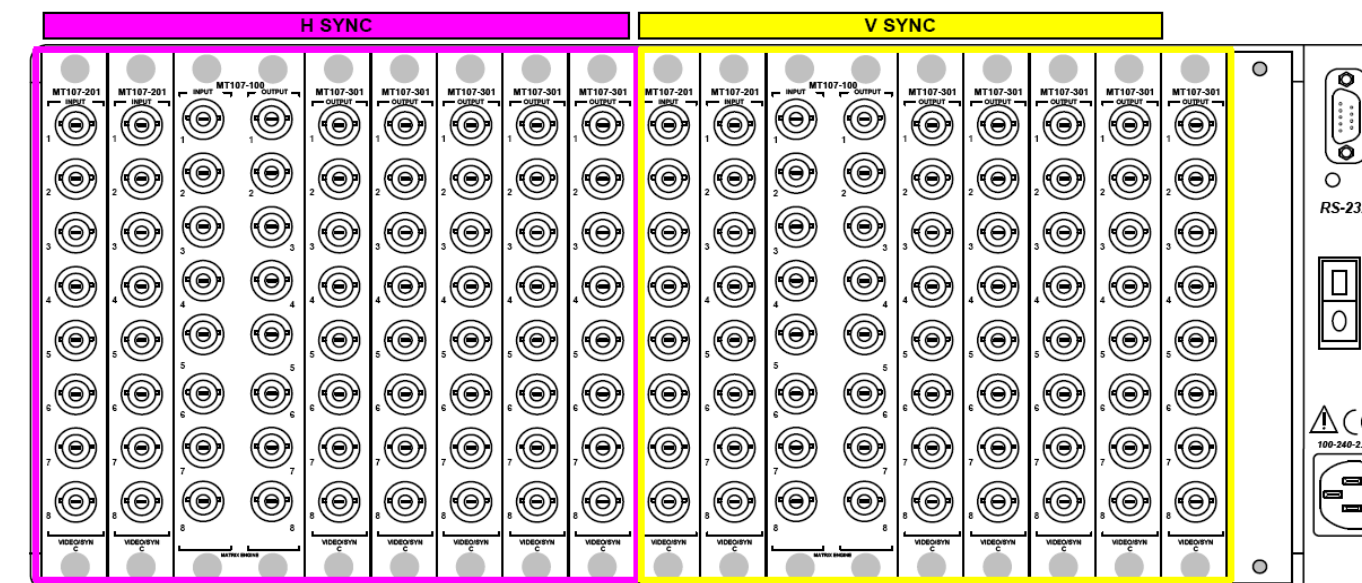
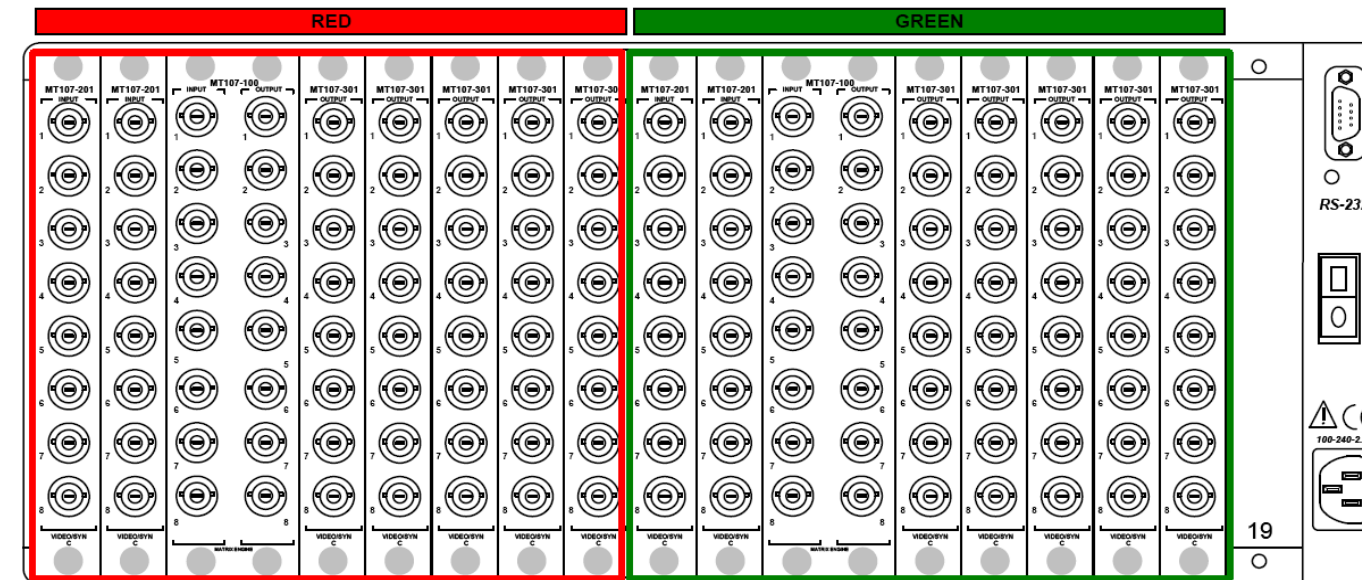
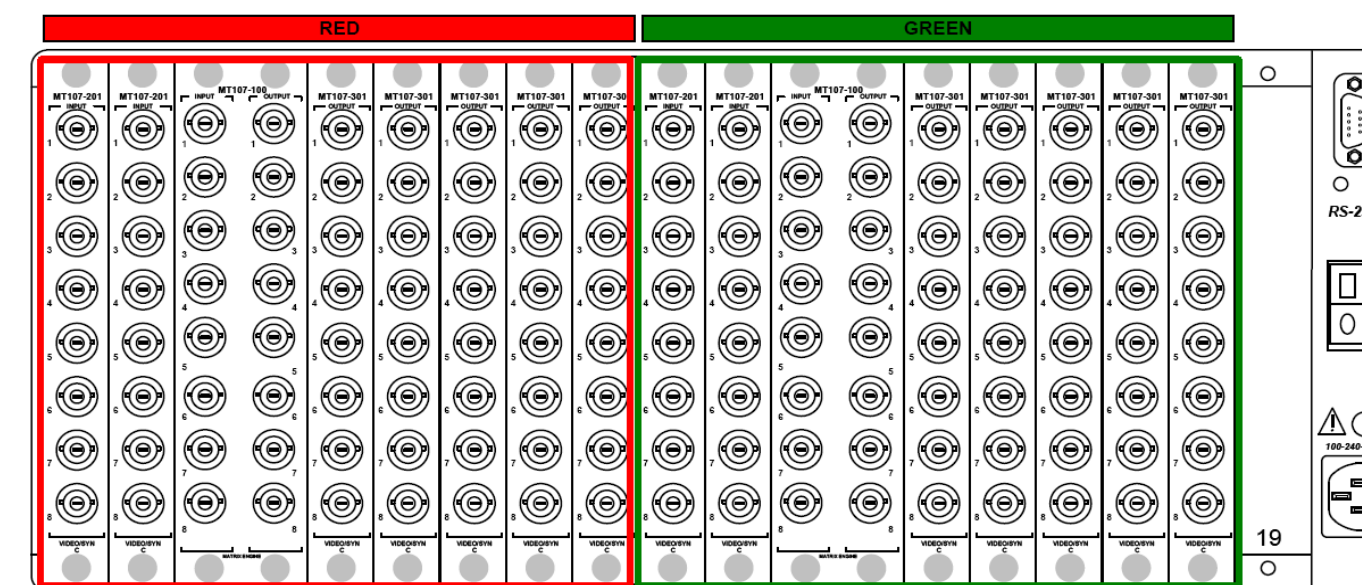
Middle Atlantic Products
DWR-10-22



Middle Atlantic Products
WRK-44-27



RS-232



Last Rev:	As Built	07/21/09
Print Date:		07/24/09
Proj. Eng:		
Drawn By:		07/21/09

FRONTIER
MEDIA SOLUTIONS, LLC.

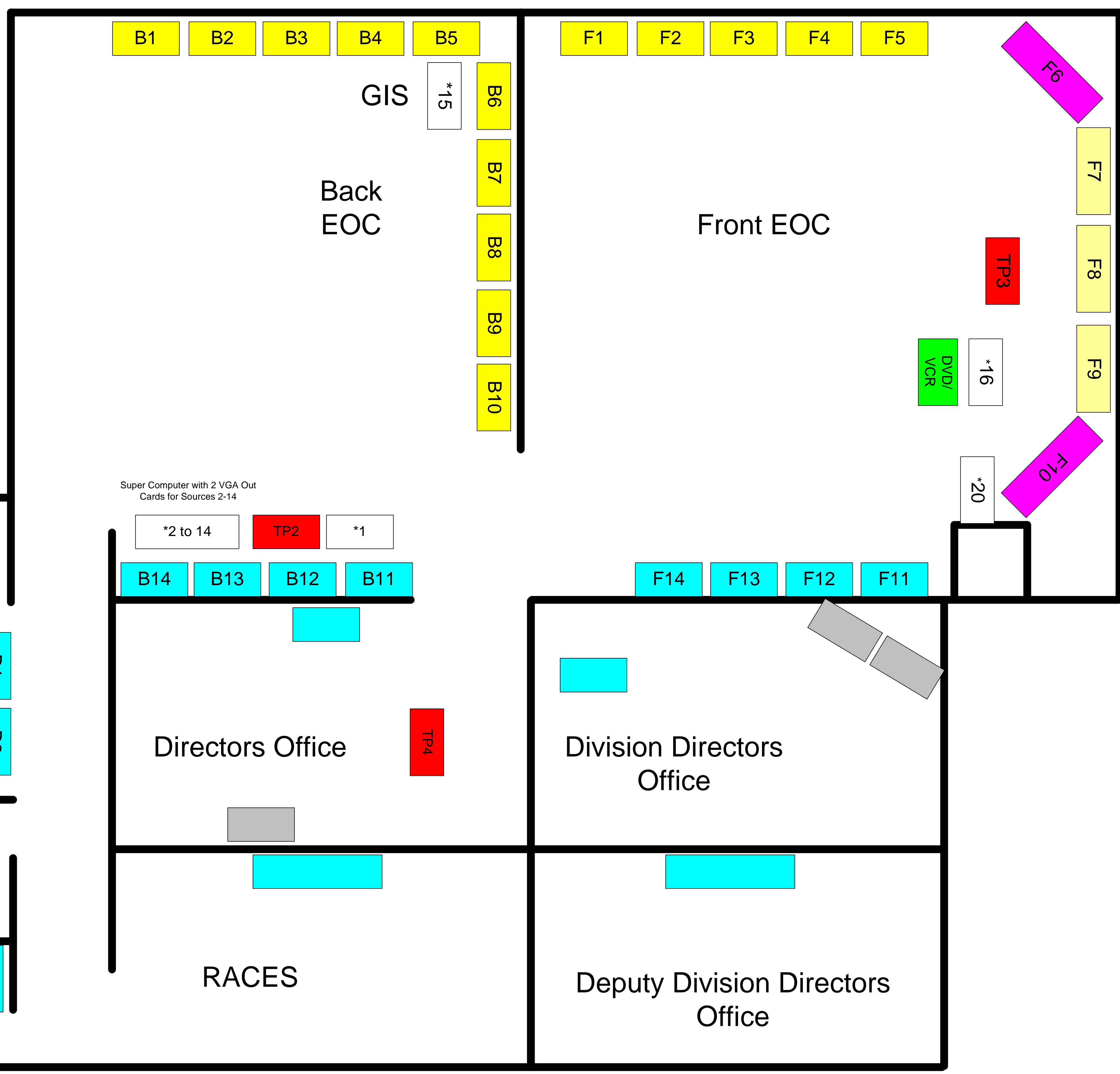
P.O. Box 634
Springboro, Ohio 45066
Tel: 937.704.9731 Fax: 937.704.0006

CUSTOMER	Homeland Security
PROJECT	MA 4633
DWG TITLE	Plates and Rack

ma4633 homeland rv4.vsd	DWG NUMBER MA4633
SCALE 1.00 in.:1.00 in.	PLT 01

- * 1 = EOC Manager Computer
- * 2 = Operations Chief Computer
- * 3 = Planning Support Computer
- * 4 = Planning Chief Computer
- * 5 = Situation Unit Computer
- * 6 = Admin Support Computer
- * 7 = Resource Support Computer
- * 8 = Logistics Chief Computer
- * 9 = Logistics Support Computer
- * 10 = Finance & Admin Chief Computer
- * 11 = Infrastructure Computer
- * 12 = Emerg Services Coord Computer
- * 13 = Human Services Computer
- * 14 = FEMA Computer
- * 15 = GIS Computer
- * 16 = Podium Computer
- * 17 = Dispatch 1 Computer
- * 18 = Dispatch 2 Computer
- * 19 = Security Camera
- * 20 = EOC VTC

- Sharp LC-52D64U** IR Connected Serial Port
- Sharp LC-32D64U** IR Connected Serial Port
- Sharp LC-52D43U** IR Connected IR Reciever on front of Display
- Dell 5100mp projector** RS232 Serial Control
- Sanyo projector** RS232 Serial Daisy Chained
- Touch Panel**



Last Rev:	As Built	07/21/09
Print Date:		07/24/09
Proj. Eng:		
Drawn By:		07/21/09

FRONTIER MEDIA SOLUTIONS, LLC.

P.O. Box 634
Springboro, Ohio 45066
Tel: 937.704.9731 Fax: 937.704.0006

CUSTOMER	Homeland Security
PROJECT	MA 4633
DWG TITLE	Plates and Rack

ma4633 homeland rv4.vsd	DWG NUMBER MA4633
SCALE 1.00 in.:1.00 in.	FP 01